

## ***Wireless Broadband Lightning and Surge Protection***

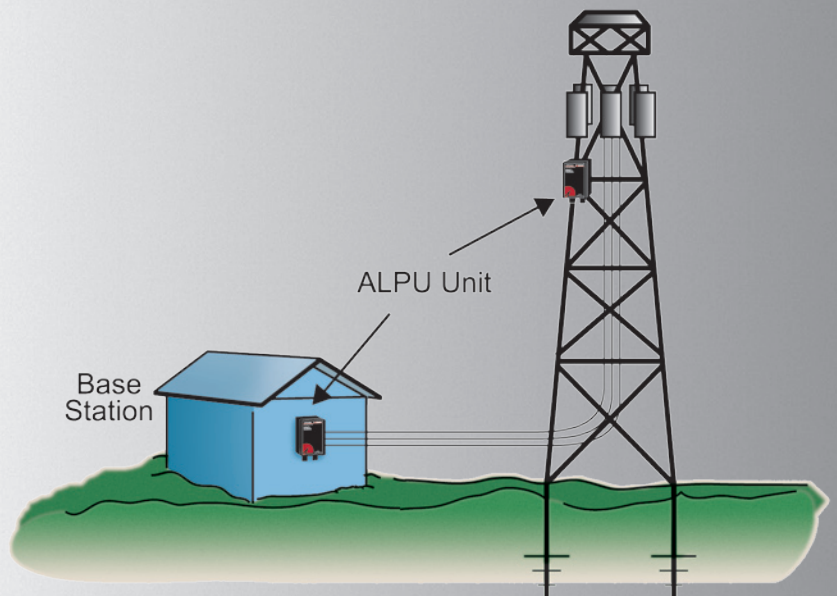
Today's wireless broadband technology involves sensitive electronic equipment which you depend upon for systems reliability. Your wireless broadband radios will experience unpredictable and potentially destructive power quality conditions such as lightning and transients causing your business maintenance time and costs, radio replacement costs and customer dissatisfaction. The ALPU Series utilizes advanced silicon avalanche suppression diode technology (SASD) to safeguard your valuable wireless broadband equipment. Protection is required by NEC (National Electric Code) and NFPA (National Fire and Protection Agency Standards). The success of your wireless broadband systems requires a superior protection solution provided by Transtector Systems.



# TRANSTECTOR

### ***Applications***

- Point to Point
- Wireless WAN/LAN
- Last Mile Access
- Mobile Networks
- Fiber Redundancy
- Fiber Extensions
- Broadband/DSL



## ***ALPU-ORT***

***Advanced Lightning Protection Unit for Orthogon Equipment***

## Features

- Non-degrading, fast response, patented silicon diode technology
- Easy connection for a field friendly installation
- Designed to self sacrifice in catastrophic events and take protected equipment offline
- NEMA-3R

## Dimensions

6.44" H X 4.69" W X 3.5" D  
163.6cm X 119.1cm X 8.89cm

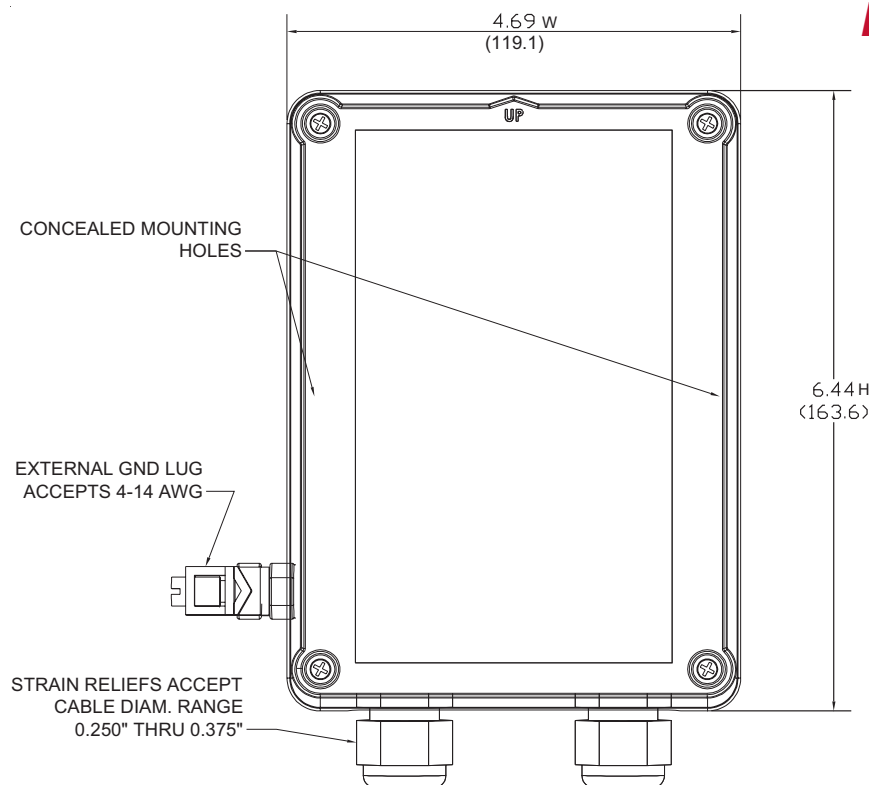
## Warranty

Five (5) year unconditional warranty  
Ten (10) year manufacturer's warranty

## Configurations & Specifications

<b>Transfer Rate</b>	CAT-5
<b>Configuration</b>	4 pair
<b>Input Connection</b>	"110" Style Punch Down Blocks
<b>Number of Connector Positions</b>	8
<b>Protection Modes</b>	Line to Line Line to Ground
<b>Max. Continuous Operating Voltage</b> <b>Pins 1, 2, 3, 6</b> <b>Pins 4, 5, 7, 8</b>	94V 99V
<b>IEEE/ANSI C62.41</b> <b>10/1000 Long Wave</b>	120A peak Peak Power 14000 Watts
<b>Operating Temperature</b>	-40° C to +80° C
<b>Response Time (Max.)</b>	5 Nanoseconds
<b>Part Number</b>	1101-778

## Installation Instructions



1. This product is intended for use only on data circuits with operating voltages not to exceed 94VDC and DC power circuits with operating currents not to exceed 99VDC and operating currents not to exceed 10A

2. Mounting the ALPU-ORT (See Diagram): Mount the device as close to the equipment to be protected as possible using the provided hardware and the concealed mounting holes. Mount the unit in the orientation shown, with the strain reliefs facing the ground.

### 3. Wiring the ALPU-ORT

3.1 The ALPU-ORT surge suppressor is bidirectional and may be wired in either orientation.

3.2 **Removing the Cover:** Remove the 4 cover screws using a Phillips screwdriver and lift off the cover.

3.3 **Grounding:** Connect the external ground lug on the enclosure to a solid earth ground. The unit must be grounded for the suppressor to operate properly!